



THE TOUGHEST, MOST STYLISH TRUCK YET



THE ALL-NEW TOYOTA HILUX



TOYOTA COMMERCIAL VEHICLE SALES

2 Pandan Crescent Singapore 128462

T 6631 1188



ToyotaSingapore



ToyotaSG

FORMIDABLE FOUR-WHEEL DRIVE



POWER AND CONTROL *OPTIMISE YOUR DRIVING EXPERIENCE*

The four-wheel drive system allows you to make the most of the Hilux's agile handling and powerful engine in any condition. A switchable 4WD control button allows you to conveniently switch between 2WD and 4WD to suit different road conditions.



POWERFUL 2GD-FTV ENGINE

EFFICIENT AND EFFECTIVE

A fuel-efficient, cutting-edge 2.4L Turbo Diesel engine that delivers 110kW of horsepower and 400 Nm of torque—while being Euro 6 compliant.

ENHANCED STEERING *HANDLES WITH EASE*

The tilt and telescopic steering wheel provides more natural handling for better comfort and ride control.



IMPROVED SUSPENSION SYSTEM

COMFORT AND STABILITY

The front double wishbone and rear rigid leaf suspensions allow even longer drives to be comfortable.

6-SPEED AUTO TRANSMISSION

SMOOTH AND POWERFUL

Its drivetrain delivers powerful, consistent acceleration, resulting in smooth, quiet rides every time.

PURPOSEFUL DESIGN



A SPACIOUS CABIN *DRIVE IN COMFORT*

The leather seats together with excellent head and leg room offer unparalleled comfort.



CONVENIENT STEPS *CLIMB WITH EASE*

The side and rear steps are low and wide, which makes mounting much easier.



DURABLE TAILGATE HANDLE *OPERATES RELIABLY*

Both convenient and user-friendly, the tailgate release handle is built to last while being easy and smooth to operate.



REAR UNDER-SEAT STORAGE

MORE SPACE, MORE CONVENIENCE

The rear under-seat storage is easily accessible and allows you to keep your essentials within reach.



ASSIST GRIPS *SUPPORT AND SAFETY*

Holding onto these makes getting in and out of the cabin easier and safer.

CLASS-LEADING SAFETY



SRS AIRBAGS INTEGRAL PROTECTION

In a collision, the airbags will deploy and minimise impact for both the driver and front passenger.



HILL-START ASSIST CONTROL (HAC) ASCEND EFFORTLESSLY

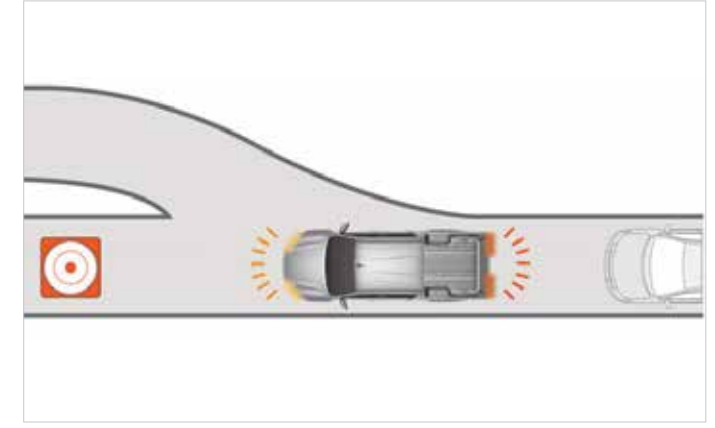
The HAC prevents your vehicle from rolling backwards when moving off a steep slope.

CLASS-LEADING SAFETY



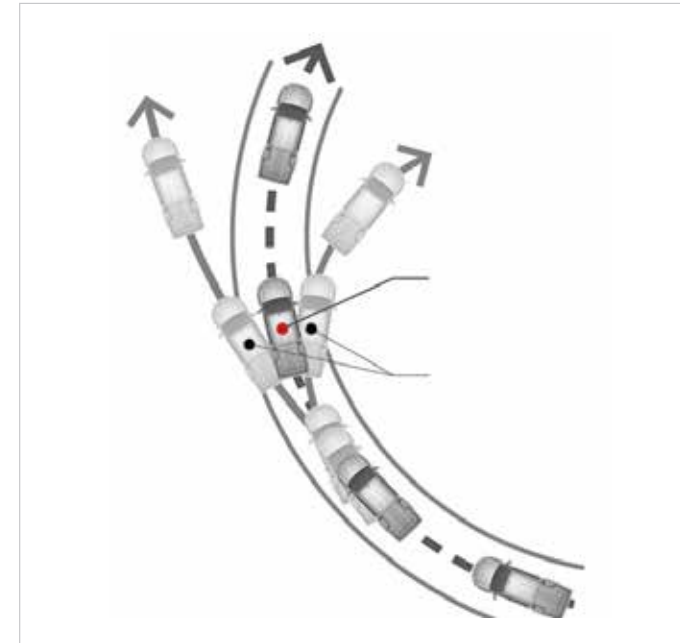
FRONT DISK BRAKES ENHANCED STOPPING POWER

These provide responsive braking performance under varying load conditions



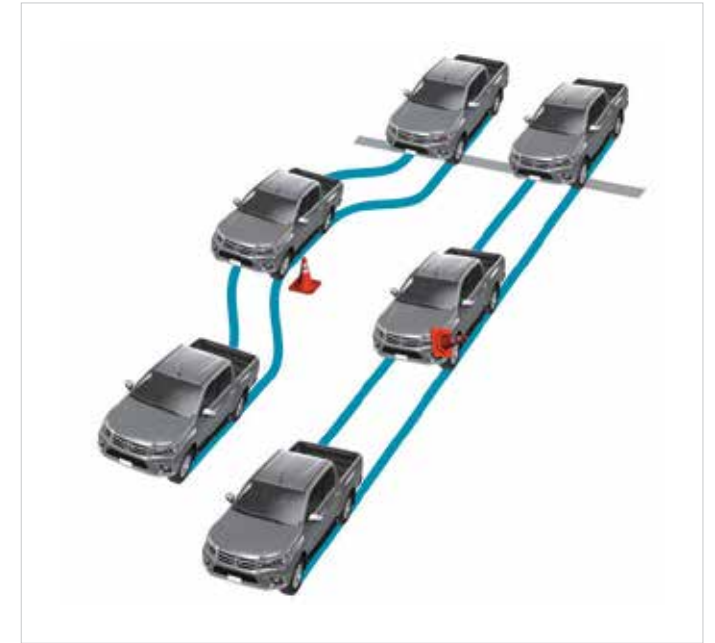
EMERGENCY BRAKE SIGNAL POWER THAT YOU NEED

When sudden braking occurs, the Emergency Brake Signal will activate the hazard lights, warning vehicles behind you.



VEHICLE STABILITY CONTROL (VSC) CORRECT YOUR CAR'S COURSE

VSC helps your vehicle maintain traction and control by reducing power to your wheels, ensuring you stay on your intended path.



ANTI-LOCK BRAKING SYSTEM (ABS) OPTIMAL BRAKING POWER

The ABS with Electronic Brake Force Distribution prevents wheel lock-up while ensuring you retain steering control during heavy braking.

SPECIFICATIONS

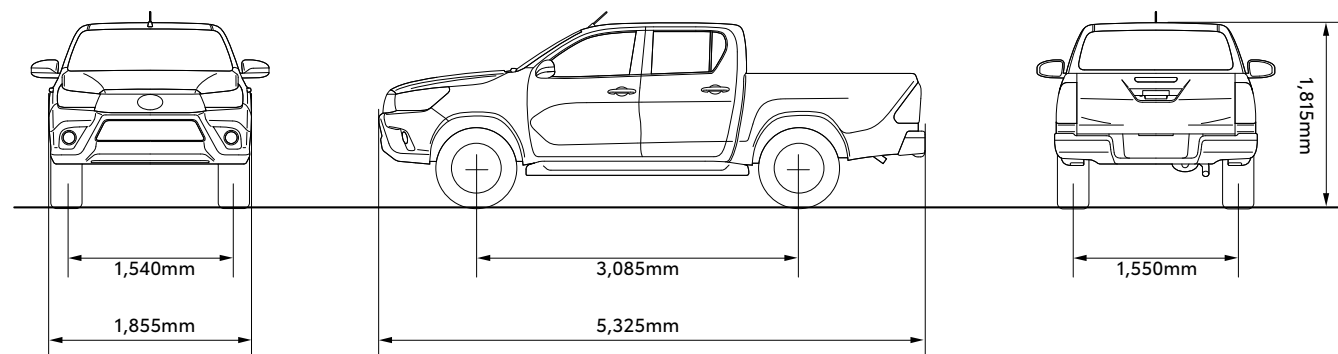
GUN125R-DTTLX		DOUBLE-CAB 4X4 AUTO	
DIMENSION & WEIGHT			
Overall Dimension (L / W / H)	mm	5325 / 1855 / 1815	
Wheelbase	mm	3085	
Tread (Front / Rear)	mm	1540 / 1550	
Min. Turning Radius	m	6.4	
Ground Clearance	mm	286	
Gross Vehicle Weight	kg	2910	
Kerb Weight	kg	2060*	
Payload	kg	900	
Seating Capacity (Incl. Driver)		5	
Cargo Space	L/W/H	1555/1540/480	
ENGINE			
Engine Model Code		2GD-FTV (Hi)	
Displacement	cc	2393	
Engine Type		2.4L Turbo Diesel, 4-Cylinder in-line, 16-Valve, DOHC	
Bore x Stroke	mm	92 X 90	
Compression Ratio		15.6 : 1	
Max Output	kW / rpm	110 / 3400	
Max Torque	Nm / rpm	400 / 1600	
Emissions Standard		Euro6 Compliant	
Fuel Consumption	km/ L	9.9	
Fuel Tank Capacity	L	80	
CHASSIS & TRANSMISSION			
Transmission		6-Speed Automatic- Sequential Shift	
Drive Type		4WD (High & Low Range)	
Final Gear Ratio		4.100	
Suspension		Heavy Duty Suspension Package	
		Fr: Double Wishbone With Stabilizer/ Rr: Rigid Leaf	
Axle Rating	kg	Fr: 1400 / Rr: 1650	
Brakes		Fr: Ventilated Disc Brake / Rr: Leading-Trailing Drum Brake	
Tyre		265 / 65R17	
Approach Angle / Departure Angle		29° / 26°	

*HDB parking is subjected to approval.

Addition of extra features may change figures in this chart. Toyota Motor Corporation and Borneo Motors (Singapore) Pte Ltd reserve the right to alter any details of specifications and equipment without notice.

Note: Vehicles pictured and specifications detailed in this catalogue may vary from models and equipment available in your area.

Actual interior features and colours may differ from pictures shown. Vehicle body colour might differ slightly from the printed photos in this catalogue.



FEATURES

GUN125R-DTTLX		DOUBLE-CAB 4X4 AUTO	
EXTERIOR FEATURES			
Headlamps		Halogen	
Windshield Glass		Green Laminated Top Shade	
Side & Rear Steps		With	
Chipping Protector		Rocker & Deck	
Keyless Entry		With	
High-Mount Stop Lamp		LED	
INTERIOR FEATURES			
Steering Wheel		Urethane With Switches	
Steering Column		Tilt & Telescopic	
Multi Information Display		With Large TFT	
Shift Lever & Knob		Urethane	
Inside Rear View Mirror		Day & Night Mode	
Audio System		With 4 Speakers	
Seat Slide / Reclining		D + P	
Cabin Storage		Ample Space with Console + Cup Holders	
Airconditioner		With + Heater Control	
Assist Grips		With	
Coat Hooks		With	
COMFORT & SAFETY			
Vehicle Stability Control (VSC)		With + Hill-start Assist Control (HAC)	
Anti-lock Braking System (ABS)		With + EBD	
Emergency Brake Signal		With	
Pitch & Bounce Control		With	
Silencer		With - Floor / Dash / Hood Silencer	
SRS Airbags		3 (D+P, D-Knee)	
Seat Belts		3 Point ELR for D + 1st / 2nd row P	
Power Door Lock		With	
Power Window		Auto Down at Driver Seat	
Anti-Theft System		Immobiliser	
Child Protector		Rear Door	
ISOFIX		With	
Glove Box		With Key-Lock	

COLOUR VARIATIONS



Super White II (040)



Silver Metallic (1D6)



Grey Metallic (1G3)



Attitude Black Mica (218)



Platinum White Pearl Metallic (089)



Emotional Red II (3U5)



Dark Blue Metallic (8X8)

Details and specifications may differ from pictures shown depending on the model.